

## Synchronous Crash Cart Kit

In a critical healthcare setting, an accessible and well equipped crash cart can mean the difference in saving lives. The visibility and accuracy of time directly impacts the steps and measures taken to treat patients during emergencies.

To improve the incorporation of elapsed time and tracking in these situations, Primex Wireless offers the Synchronous Crash Cart Kit. The Synchronous Crash Cart kit allows hospitals to combine a Primex Wireless digital clock or timer with a universal installation kit for deployment with mobile crash carts.

The bright LED Primex digital clocks are configured with the Synchronous Crash Cart Kit consisting of an Uninterrupted Power Supply (UPS), mounting brackets and hardware. Thus, when the crash cart is not being used the power supply can be charged and at the ready. During mobile use, power is continuously supplied to the synchronous clock or timer for hours of operation. With synchronized and elapsed time directly available on the Crash Cart, the important moments during an emergency can be precisely measured.

- Accommodates all Primex 2.5" Digital Clocks and Timers (Sold Separately)
- Can be deployed with most crash cart configurations
- For use with Synchronous Network System (SNS™) or 72 MHz GPS systems
- Includes UPS, clock mounting braces, hardware and basket for UPS



### Part Number

SCC25

Synchronous Crash Cart Kit

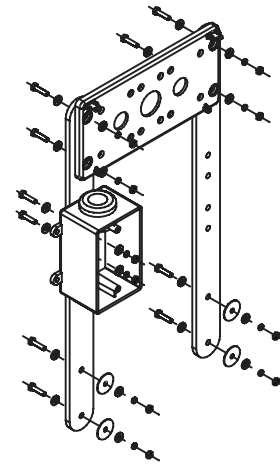
# Synchronous Crash Cart Kit Specifications:

## Includes

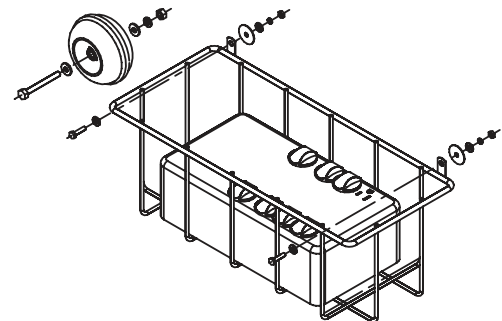
- Uninterrupted Power Supply (UPS)
- Pre-drilled Mounting Brackets (2)
- Power Cable Spool
- UPS Storage Container
- Single Gang Back-Box
- Mounting Hardware

## UPS Specifications

- 120 VAC
- 60 Hz
- Maximum Input Amps 10 A
- Recharge time from fully depleted battery is 20 hours (15 hours for 10% to 90 % Charge)
- UPS run time approximately 4.5 hours with 2.5" digital clock
- Full load runtime 3.5 minutes (550VA)
- Half load runtime 10 minutes (275VA)
- Battery recharge rate less than 15 hours to 90%
- Dimensions: 3.1"H (7.9cm) x 5.7"W (14.5cm) x 10.9"D (27.7cm)
- Operating Range: 32° - 104°F (0° - 40°C)
- Weight: 7 lbs. (3.2kg)
- Certifications: Tested to UL1778 (USA), CSA (Canada), NOM (Mexico), Class B (EMI), FCC Part 68 / Industry Canada (telecommunication), RoHS (Restriction of Hazardous Substances)



Mounting Brackets & Back-Box



UPS & Storage Container